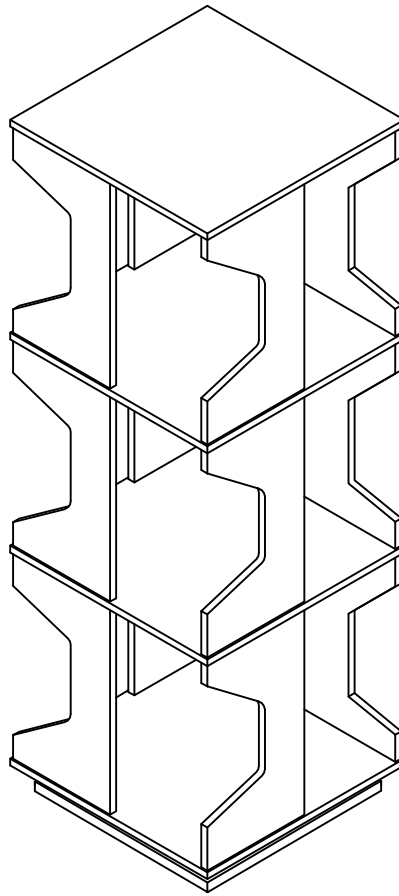


America's Longest Running Catalog

Hammacher Schlemmer

Offering the best, the only and the Unexpected Since 1848

Rotating LP Storage Tower



USER GUIDE & OPERATING MANUAL

INCLUDE IMPORTANT SAFETY INFORMATION

READ ALL INSTRUCTIONS BEFORE USING DEVICE

SAVE THESE INSTRUCTIONS

To insert a cam lock: (Please read below instructions before assembling)

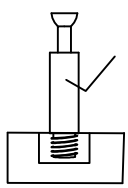
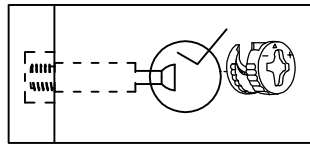


Diagram A



1. Insert cam screw into hole as shown in diagram A .

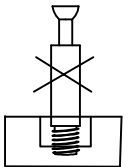
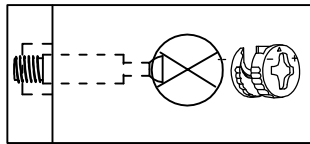


Diagram B



Make sure not to insert the cam screw: Too deep as shown in figure B as this will cause the cam screw to be misaligned and unable to interlock properly.

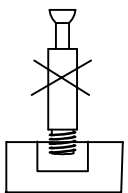
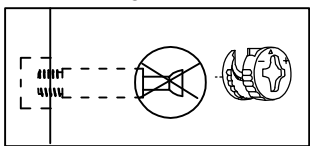
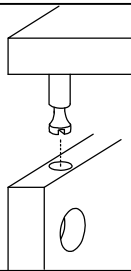


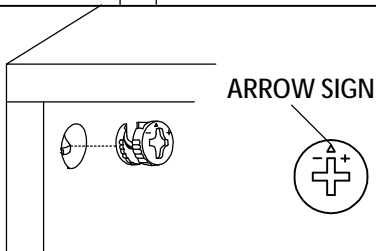
Diagram C



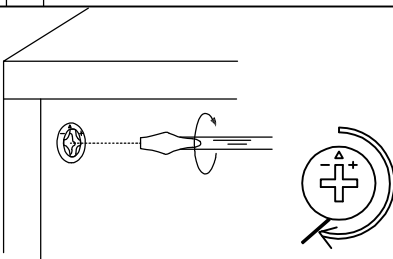
Also avoid inserting the cam screw too close to the surface of the hole as shown in figure C, as this will cause the cam lock to be too loose, and not interlock properly.



2. Connect the panels together.



3. When inserting the cam lock make sure the arrow of the cam lock faces the cam screw.



4. To tighten the cam lock turn the cam lock clockwise 90-180 degree or until the arrow is facing opposite the place cam lock was inserted.

NOTE: DO NOT USE AN AUTOMATIC SCREWDRIVER TO TIGHTEN CAM LOCKS.

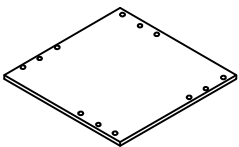
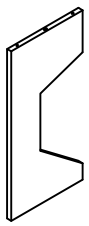
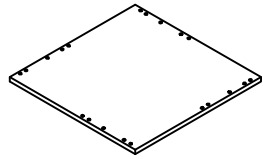
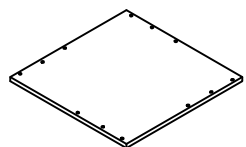
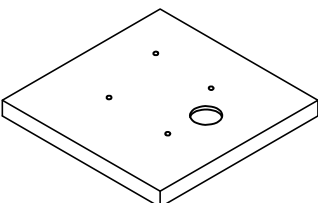
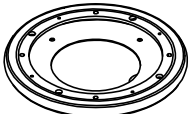
Before you start to assemble this unit:

- Remove all pieces from the box.
- Tools required: Phillips screwdriver, flat screwdriver(not included).
- The flatted carton can be used as a work surface during assembly.
- Gather all tools needed for assembly.
- For ease and speed of assembly we recommend that before you commence each step of the assembly that you identify all the parts required to complete that step.
- For the protection of your furniture we recommend that product is placed on protected surfaces during assembly to prevent any damage.
- During assembly do not over tighten ,as this may damage the product.
- Please ensure you retain all the product packaging until item completely assembled.
- Please periodically check all fittings and re-tighten as necessary.
- It is recommended that this item should be assembled by two adults.
- Weight capacity of each shelf 40 lbs ,total weight capacity of this unit 120 lbs.

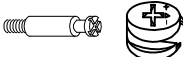

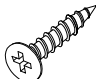
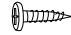
WARNING

- Do not let any sharp objects touch or rub the surface of the product.
- When assembling, do not let children around the working area.
- Children must not play with packing materials.
- NEVER ALLOW CHILDREN TO CLIMB OR HANG ON THIS UNIT.
- Please never allow liquids to remain on your furniture as absorption can cause the wood to warp or finish to de-laminate.

Part List

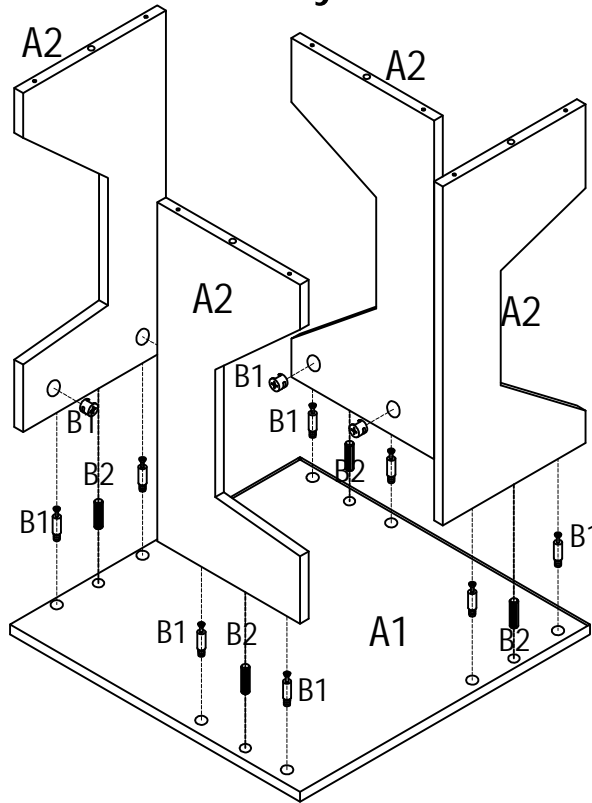
<p>A1 Quantity of 1</p>  <p>Top panel</p>	<p>A2 Quantity of 12</p>  <p>Support Panel</p>	<p>A3 Quantity of 2</p>  <p>Shelf</p>	<p>A4 Quantity of 1</p>  <p>Bottom panel</p>
<p>A5 Quantity of 1</p>  <p>Base</p>	<p>A6 Quantity of 1</p>  <p>Rotating plate</p>		

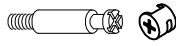

Hardware List

<p>B1 Quantity of 24</p>  <p>Cam-lock</p>	<p>B2 Quantity of 24</p>  <p>Wood Dowel</p>	<p>B3 Quantity of 24</p>  <p>Screw</p>	<p>B4 Quantity of 12</p>  <p>Screw</p>
--	--	---	---

Step 1

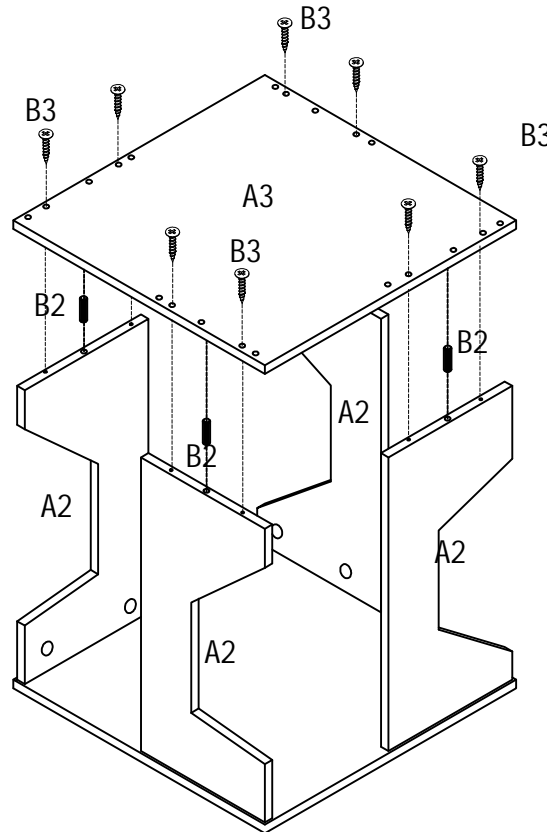
Assembly Instructions




- | | | |
|------|---|------|
| B1 : |  | 8pcs |
| B2 : |  | 4pcs |

Assemble Support Panels A2 to the bottom of Top Panel A1 using Cam-locks B1 and Wood Dowels B2 as shown above.

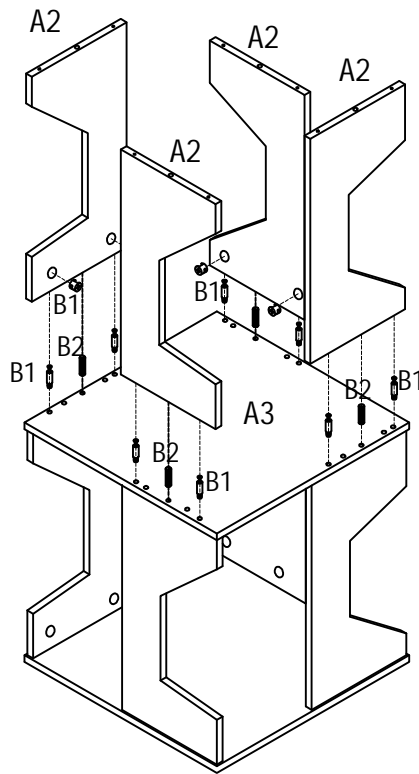
Step 2

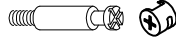



- | | | |
|------|---|------|
| B3 : |  | 8pcs |
| B2 : |  | 4pcs |

Assemble Shelf A3 to Support Panels A2 using Screws B3 and Wood Dowels B2 as shown above.

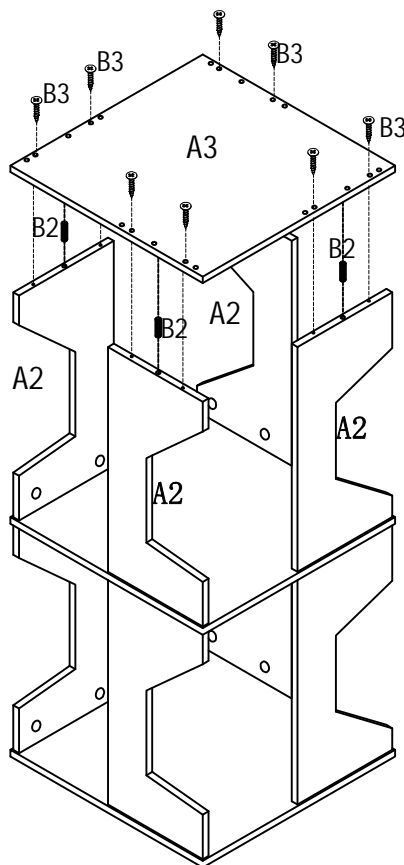
Step 3





B1 :		8pcs
B2 :		4pcs

Assemble Support Panels A2 to the bottom of Shelf A3 using Cam-locks B1 and Wood Dowels B2 as shown above.

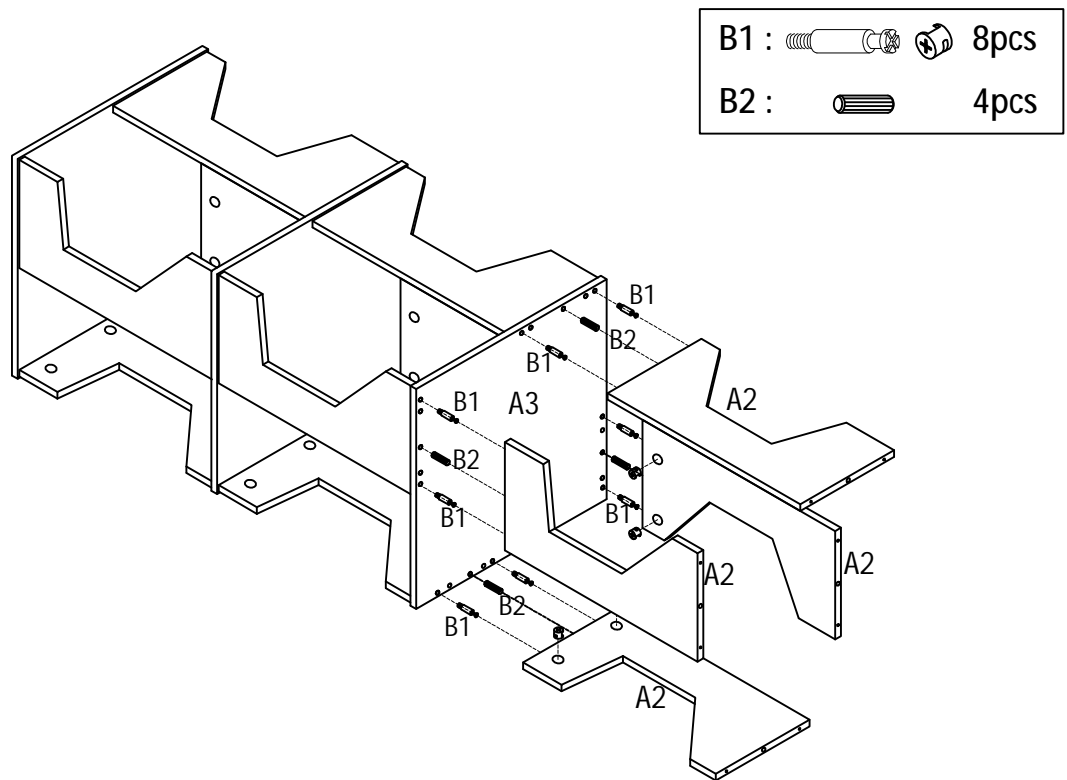
Step 4



B3:		8pcs
B2:		4pcs

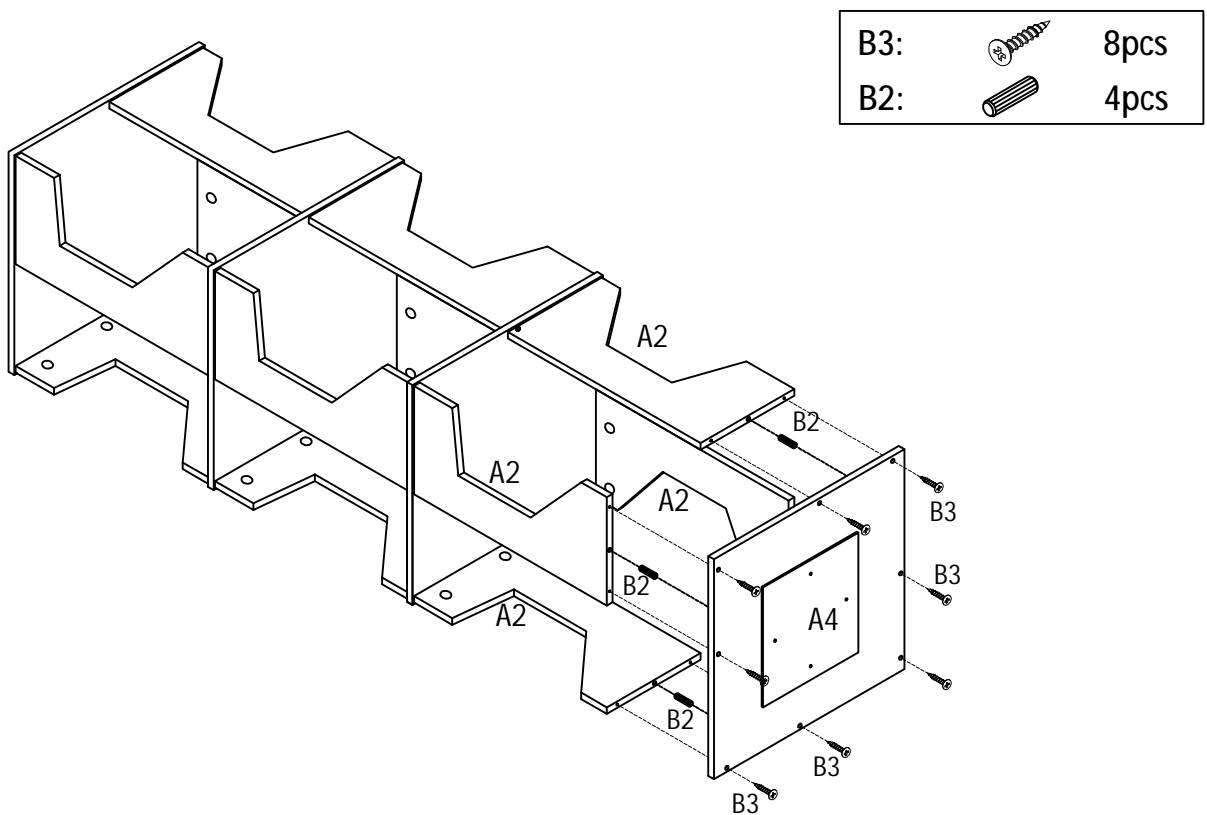
Assemble Shelf A3 to Support Panels A2 using Screws B3 and Wood Dowels B2 as shown above.

Step 5



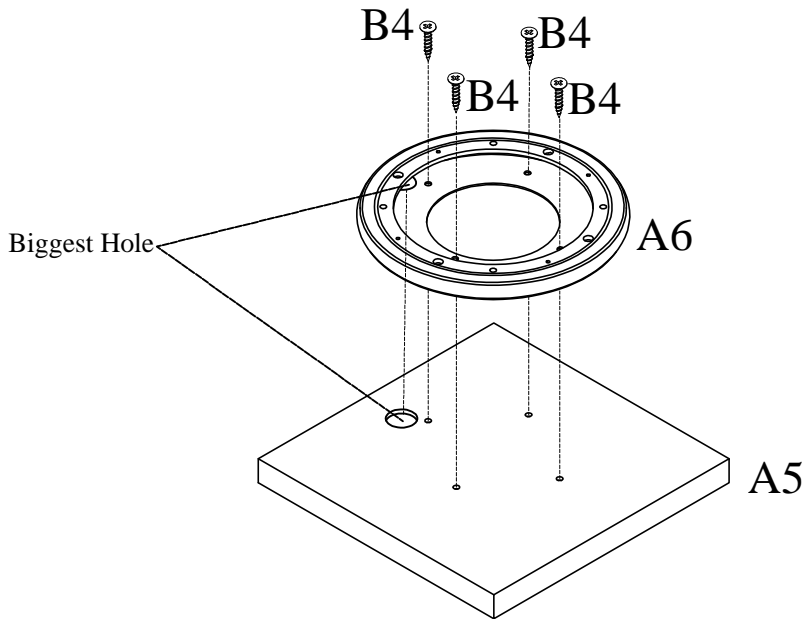
Assemble Support Panels A2 to the bottom of Shelf A3 using Cam-locks B1 and Wood Dowels B2 as shown above.

Step 6



Assemble Bottom Panel A4 to Support Panels A2 using Screws B3 and Wood Dowels B2 as shown above.

Step 7

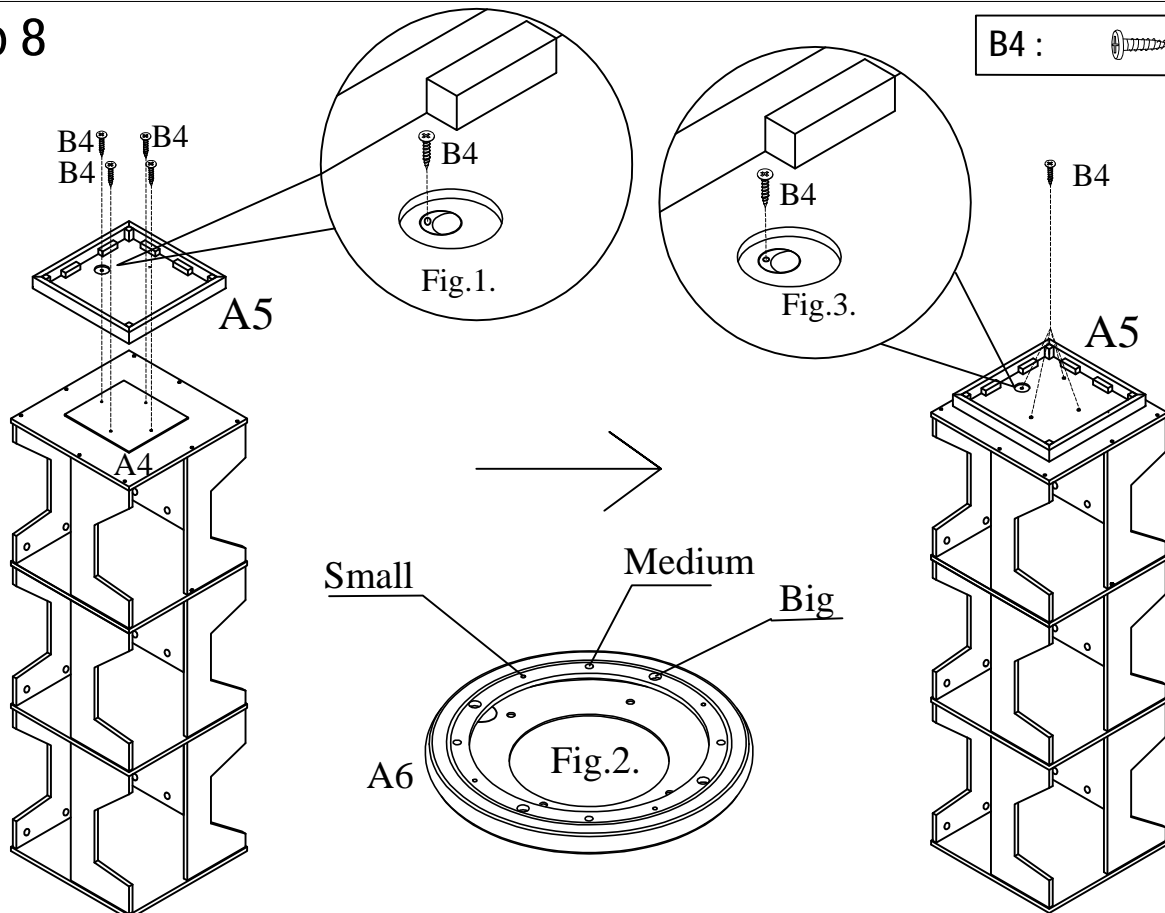


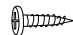
B4 :  4pcs

Assemble Rotating Plate A6 to Base A5 using Screws B4 as shown above. (Holes on Base A5 for screws B4 are pre-drilled).

Note: Please make sure the biggest holes which on Bottom Panel and Rotating Plate are in the same direction as shown above.

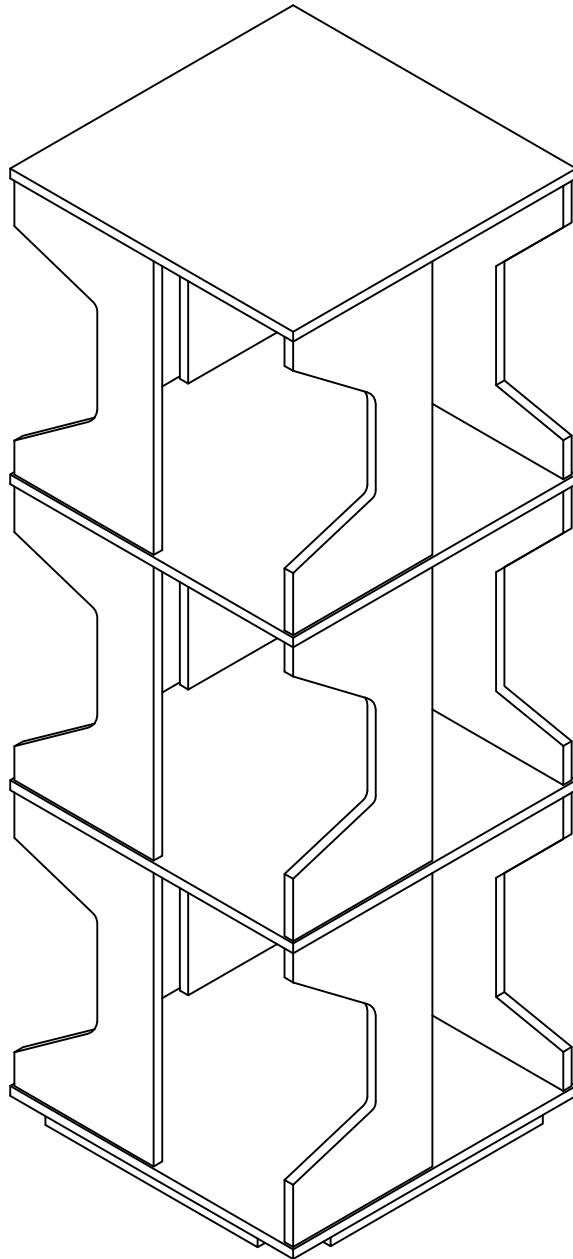
Step 8



B4 :  8pcs

- 1). Upside down Base A5 as shown above, assemble Rotating Plate A6 to the bottom of bottom panel A4 using screws B4, Holes on Bottom Panel A4 are pre-drilled in this step. (please make sure Screws B4 are through the medium holes one by one which on Rotating Plate A6, Refer to Fig.1. & Fig.2.)
- 2.) Then tighten Screw B4 refer to Fig.3. through the small holes which on Rotating Plate A6. (No pre-drilled holes for Screw B4 in this step.)

Step 9



The Hammacher Schlemmer Lifetime Guarantee

We make an unconditional and unwavering promise: our merchandise is guaranteed for life. In any product purchased directly from us ever disappoints you, for any reason, you can return it for exchange, credit or refund. Even if you receive the item as a gift. Hammacher Schlemmer will exchange it for another item or gift certificate of equal value.

Phone: call us Toll-Free 1-800-321-1484 to speak with a Hammacher Schlemmer associate for assistance 7 day a week 8 AM to Midnight, Eastern time. International customers please call 1-513-860-3397

E-mail customer service at customerservice@hammacher.com and we will respond within 1-2 business days.

Address:
Hammacher Schlemmer
9180 LeSaint Dr.
Fairfield, OH 45014